



**PX91 Series
4-20 mA Output**

**0-5,000 to 0-200,000 psi
0-350 to 0-14,000 bar**

1 bar = 14.5 psi
1 kg/cm² = 14.22 psi
1 Atmosphere = 14.7 psi = 29.93 in-Hg = 760.2 mm-Hg = 1.014 bar

- ☑ Ranges up to 200,000 psi
- ☑ FM and CSA Approved Intrinsically Safe
- ☑ All Stainless Steel Case
- ☑ High Operating Temperature 121°C (250°F)
- ☑ Hermetically Sealed for Harsh Environments

The OMEGADYNE™ PX91 amplified output series is a rugged, high temperature/ ultra high pressure transducer. They are hermetically sealed, have all stainless steel construction and are designed for the harshest environments encountered in very high pressure/ high temperature test chambers. The PX91 is available in pressures from 5000 psis to 200,000 psis. Electrical connection are either a sealed Bendix connector or Lightning protected explosion proof amplifier housing. Pressure connection is via a high pressure ferrule connection. FM/CSA approved Intrinsically Safe is standard.

**For Sales and Service
In U.S.A. and Canada**

**1-800-872-3963SM
1-800-USA-DYNE**

**International Customers Dial
(614) 965-9340
24-Hour FAX (614) 965-9438**

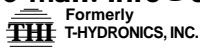
OMEGADYNESM FAX

OMEGADYNE's 24-Hour
On-Line Publishing Service

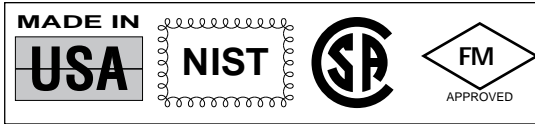
**1-800-344-3963SM
1-800-DIG-DYNE**

Document # 3712

OMEGADYNE, Inc.
149 Stelzer Court, Sunbury, OH 43074
<http://www.omegadyne.com>
e-mail: info@omegadyne.com



© COPYRIGHT 1996 OMEGADYNE, INC. ALL RIGHTS RESERVED.



Interchangeable with
Model TH-HPT-VA

**SPEC SHEET
PX91-I**

ULTRA HIGH PRESSURE TRANSMITTER

Connector Style

\$860

Model PX91N1-50KSI

Shown Smaller than Actual Size
(Shown with cable below)



► **Most Popular Models Highlighted** ◀

Prices Shown in U.S. Dollars

To Order: (Specify Model Number)			
Range (psi)	Model Number	Price	Compatible Meters
Connector Style, Sealed Gage Pressure, 4-20 mA Output			
0-5,000	PX91N[*]-5KSI	\$860	INFP, INFCP, IDP
0-10,000	PX91N[*]-10KSI	860	INFP, INFCP, IDP
0-15,000	PX91N[*]-15KSI	860	INFP, INFCP*, IDP*
0-20,000	PX91N[*]-20KSI	860	INFP, INFCP*, IDP*
0-30,000	PX91N[*]-30KSI	860	INFP, INFCP*, IDP*
0-35,000	PX91N[*]-35KSI	860	INFP, INFCP*, IDP*
0-50,000	PX91N[*]-50KSI	860	INFP, INFCP*, IDP*
0-60,000	PX91N[*]-60KSI	860	INFP, INFCP*, IDP*
0-80,000	PX91P[*]-80KSI	1500	INFP, INFCP*, IDP*
0-100,000	PX91P[*]-100KSI	1500	INFP, INFCP*, IDP*
0-120,000	PX91P[*]-120KSI	1580	INFP, INFCP*, IDP*
0-150,000	PX91P[*]-150KSI	1800	INFP, INFCP*, IDP*
0-200,000	PX91P[*]-200KSI	1900	INFP, INFCP*, IDP*

* 4 Digit Meter

Interchangeable with Model TH-HPT-VA

Metric Ranges Available - Consult Engineering

[*] Insert 0 for 10 ft Cable or 1 for Connector Style

Ordering Examples: 1.) PX91N1-60KSI is a 60,000 psi sealed gage model with 4-20 mA output, 1/2-14 NS fitting, Connector Style, \$860. Mating Connector (not included)

PT06F-10-6S, \$26.50.

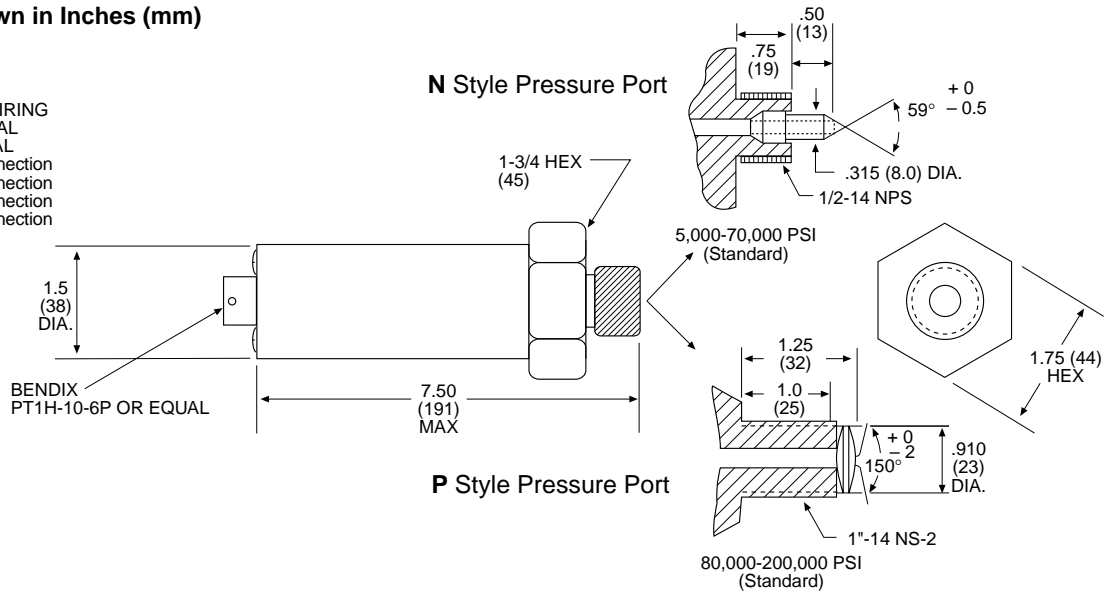
2.) PX91P0-80KSI is an 80,000 psi sealed gage model with 4-20 mA output, a 1-14 NS fitting and 10 ft (3m) teflon cable, \$1500.

Printed On Recycled Paper



Dimensions Shown in Inches (mm)

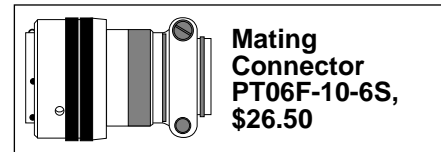
CONNECTOR WIRING
 PIN A + SIGNAL
 PIN B - SIGNAL
 PIN C No Connection
 PIN D No Connection
 PIN E No Connection
 PIN F No Connection



SPECIFICATIONS: 4-20 mA Output
Electrical:
Excitation: 12-40 Vdc
Output: 4-20 mA ±10% adj.
Zero Balance: 4 mA +10% -2% adj
Agency Approvals: FM/CSA
 Intrinsically Safe IS/I.II.III/1/CDEFG
 Standard
Performance:
Accuracy Class: 0.5%
Linearity: ±0.35% FSO <75K psi
 ±0.50% FSO ≥75K psi
Hysteresis: ±0.10% FSO
Repeatability: ±0.10% FSO
Environmental:

Operational Temp Range:
 -46 to +121°C (-50 to +250°F)
Compensated Temp Range:
 +17 to +71°C (+60 to +160°F)
Thermal Effects:
 Span: 0.005% Rdg/°F
 Zero: 0.005% FSO/°F
Pressure:
Proof Pressure:
 5K to 50K psi: 120% of rated pressure
 60K to 200K psi: 110% of rated pressure
Burst Pressure:
 5K to 50K psi: 150% of rated pressure
 60K to 200K psi: 120% of rated pressure
Wetted Parts:

5 to 50K: 17-4 PH Stainless Steel
 60K to 200K: 455 Stainless Steel
Pressure Port: 5K to 70K psi:
 1/2-14 NPS (use .315 dia. 59° ferrule)
 > 70K psi: 1-14 NF-2 (use .910 dia.
 150° ferrule)
Electrical Connection: Bendix
 PT1H-10-6P or equal; Optional:
 Lightning Protected Amplifier Housing
Mating Connector: PT06F-10-6S
 (not included)



CUSTOM CONFIGURATIONS:

SERIES	PRESSURE PORT	ELECTRICAL CONNECTION	RANGE (PSI)	UNITS	OUTPUT	OPTIONS
PX91	[1]	[2]	[3]	[4]	[5]	[6]
Ranges ≤ 70,000 psi N = 1/2-14 NPS use with .315" dia 59° ferrule Ranges > 70,000 psi P= 1-14 NS-2 use with .910" dia. 150° ferrule			5K	S = Sealed Gage mV/V 5 Volt 4-20mA \$845 \$860 \$860	V = mV/V 5T = 0-5Vdc I = 4-20 mA	
			10K			
			15K			
			20K			
			30K			
			35K			
			50K			
			60K			
			80K			
			100K			
120K	\$1450 \$1580 \$1580					
150K	\$1600 \$1800 \$1800					
200K	\$1800 \$1900 \$1900					
Amplified Models Only		0 = 10 ft (3m) Teflon Cable \$4.50/ft over 10 ft (3m)				
		1 = PT1H-10-6P Connector or Equal (no charge). Mating Connector (not included) order PT06F-10-6S \$26.50				
		5 = Lightning Protected Amplifier Housing (no charge)				

To Order a Custom Configuration:
 1. Select a Pressure Port
 2. Select Electrical Connection
 3. Select a Pressure Range
 4. Select Pressure Units
 5. Select Output
 6. Select Agency Approvals

Interchangeable with Model HPT, HPT-V, HPT-VA

Metric Ranges Available - Consult Engineering

To order extra cable on Cable Style models, add suffix “-(length in feet)FT” and \$4.50/ft over the standard 10 ft (3m) length.

- Ordering Examples:** 1.) **PX91P5-100KSI** is a 100,000 psi Sealed Gage Pressure range model with, 4-20 mA output, 1-14 NS-2 fitting and a lightning protected amplifier housing, \$1500.
 2.) **PX91P1-80KS5T** is an 80,000 psi Sealed Gage Pressure range model with 0 to 5Vdc output, a 1-14 NS-2 fitting and an integral connector, \$1500. Mating Connector (not included) **PT06F-10-6S, \$26.50.**
 3.) **PX91N0-50KSV-25FT** is a 50,000 psi Sealed Gage Pressure range model with mV/V output, 1/2-14 NPS fitting and 25ft (7.6m) cable, \$845+67.50 = **\$912.50**
 4.) **PX91P0-100KSI** is a 100,000 psi Sealed Gage Pressure range model with 4-20 mA output, 1-14 NS fitting and integral Bendix Connector \$1500. Mating Connector (not included) **PT06F-10-6S, \$26.50.**